

# TSL PALLET LIFTER, FLOOR MOUNTED

## MAKE PALLET HANDLING EASY AND ERGONOMIC

### TECHNICAL SPECIFICATIONS

**NOTE: EVERYTHING CAN BE CUSTOMIZED FOR YOUR NEEDS**

- > LIFT CAPACITY: 600 - 1000 KG
- > TRAVEL: 900 - 1200 MM.
- > PLATFORM LENGTH: 900 - 1000 MM.
- > PLATFORM WIDTH: 1100 - 1200 MM.
- > TOTAL LENGTH: 1500 MM.
- > TOTAL WIDTH: 1000 MM.
- > CLOSED HEIGHT: 85 MM (EURO PALLET) OR 9 MM LEVELLED EDGE (UK PALLET)
- > POWER SUPPLY: 3x400 V/50 Hz+PE  
- PLEASE INQUIRE FOR OTHER OPTIONS
- > CE CERTIFIED
- > AVAILABLE IN RAL COLOURS, GALVANIZED OR **STAINLESS STEEL**
- > RUNS 10 LIFTS PER HOUR 8 HOURS A DAY (FULL TRAVEL)  
- PLEASE INQUIRE FOR INTENSIVE USE
- > MORE CYLINDER VERSIONS AVAILABLE



The TRANSLYFT pallet lifter is a convenient, ergonomic and safe way of handling pallets. At the same time your employees are relieved from lifting heavy objects and bending in the back. The pallet lifter is ideal for palletizing / depalletizing.

The platform is placed on a pillar that is fixed to the ground. This takes up a minimum of space and provides leg and foot space from three sides and therefore great accessibility to the load. The attachment to the ground makes this solutions steady and sturdy and can easily handle up to 1000 kg. A pallet or container can be placed directly on the pallet lifter with a hand pallet truck or forklift.

Find more information at [www.translyft.com](http://www.translyft.com)



Translyft TSL pallet lifters are ideal for use in compensation for differences in work levels, in particular when used with palletized loads.

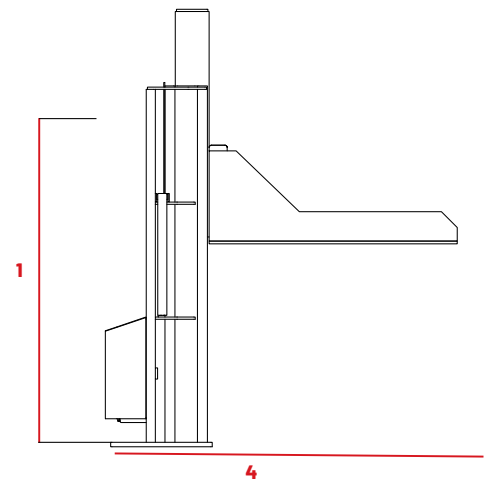
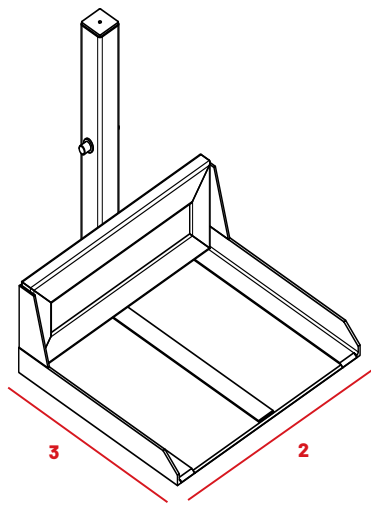


The slim design makes it easy to work besides the TSL pallet lifter and work in the most ergonomic height.

TYPE / CAPACITY KG	TRAVEL MM.	MIN. PLATFORM HEIGHT MM.	MAX PLAT-FORM HEIGHT MM.	MIN. PILLAR HEIGHT MM.	MAX PILLAR HEIGHT MM.	PLATFORM WIDTH MM.	PLATFORM LENGTH MM.	TOTAL LENGTH	LIFTING TIME SEC.
TSL - 600	900	85	985	2065	2557	1200	1000	1500	20

This is just an example based on the pictures on the previous page.  
**Everything can be adjusted to fit your needs.**

- Capacity** Highest load capability (when loaded correctly)
- Travel** Travel from closed height to top position
- Min. platform height** Platform height at lowest position
- Max platform height (1)** Platform height at top position
- Total height** Height of machine in top position
- Platform width (2)** Width of platform
- Platform length (3)** Length of platform
- Total length (4)** Total length of machine
- Lifting time** Time in sec. to top position



**Have any questions about dimensions or features? Please call us at +45 9886 4900 or find more information at [www.translyft.com](http://www.translyft.com)**